

ST STAC5 Quick Setup Guide



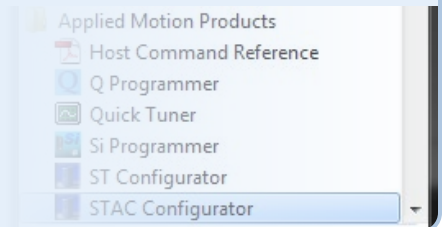
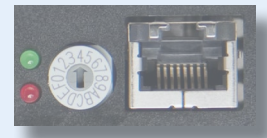
Requirements

To begin, make sure you have the following equipment:

- A compatible stepper motor.
- A small flat blade screwdriver for tightening the connectors (included).
- A personal computer running Microsoft Windows XP, Vista, Windows 7, 8 or 10.
- *ST Configurator™* version 3.4.8 or higher software, available at www.applied-motion.com/products/software.
- For Q models, *Q Programmer* software (available at www.applied-motion.com).
- A CAT5 network cable (not included).
- For more detailed information, please download and read the *STAC5 Hardware Manual*, available at www.applied-motion.com/support/manuals.

Step 1

- Download and install the *ST Configurator™* and, for -Q models, the *Q Programmer™* software. (*Q Programmer™* is included in current installations of *ST Configurator™*)
- Launch the software by clicking:
Start / Programs / Applied Motion Products / ST Configurator
- Connect the drive to your network or PC using a standard CAT5 cable.
- Select an appropriate IP address using the rotary switch on the STAC5. For more information about network configurations and IP addressing, please consult the *STAC5 Hardware Manual*.

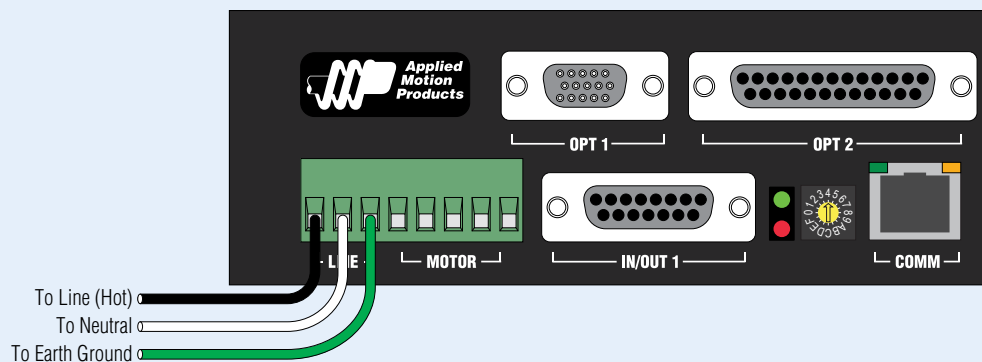


Step 2

- Wire the drive to the AC power source.
(do not apply power until all connections to the drive have been made)


Note, the STAC5-120 accepts AC voltages from 94-135 VAC, while the STAC5-220 accepts AC voltages from 94-265 VAC.

The STAC5-120 contains an internal 8A fast acting fuse. The STAC5-220 contains an internal 3.5A fast acting fuse. If an external fuse is desired, we recommend a 6A fast acting fuse for the 120V STAC5 and a 3 amp fast acting fuse for the 220V version.



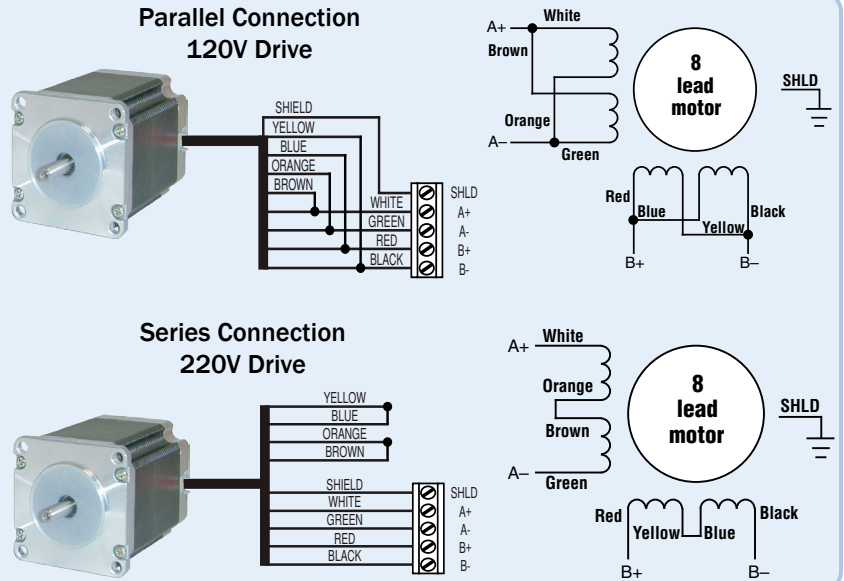
Step 3

Connect the drive to the motor. If you are using one of the recommended Applied Motion Motors, connect the motor in parallel to the STAC5-120 and in series to the STAC5-220, as shown below.

Be sure to connect the motor case ground to the STAC5 ground terminal. 

For a non-Applied Motion Products motor, please refer to your motor specs for wiring information.

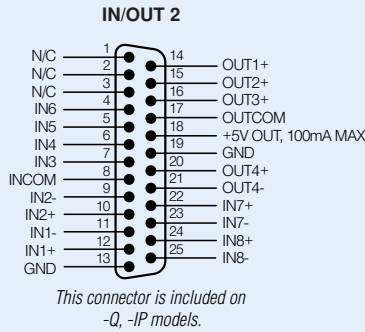
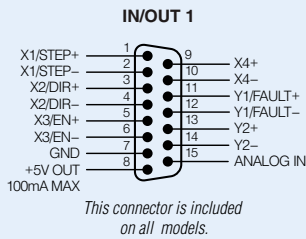
For Applied Motion Products motors with different wire colors, obtain wiring diagrams from www.applied-motion.com or contact technical support.



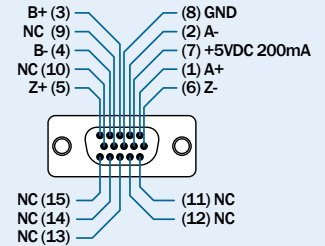
Step 4

a) Connect the I/O

b) Connect the Encoder (optional)



ENCODER *OPTIONAL

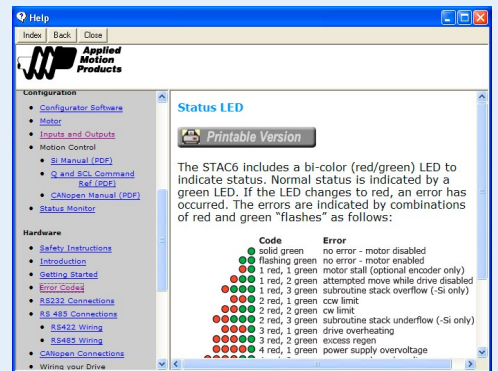
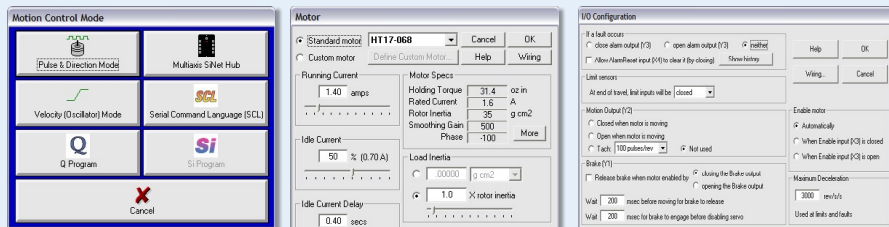


Step 5

a) Apply power to the drive.

b) Follow the configuration instructions in the *ST Configurator™* help screens. The *ST Configurator™* software can be used to set up your drive for operation in several different modes including: pulse & direction, analog velocity, SCL, and Q programming. *ST Configurator™* includes a self test option (under the Drive menu) to verify that the motor and power supply are correctly wired and configured.

c) For Q models, use *Q Programmer™* to build and test your program.



If you have any questions or comments, please call Applied Motion Products Customer Support: (800) 525-1609, or visit us online: www.applied-motion.com.



404 Westridge Dr.
Watsonville, CA 95076
Tel: 800-525-1609
www.applied-motion.com