

4

3

2

1

SPECIFICATION	
NUMBER OF PHASES: 4	ROTOR INERTIA: 82 g-cm ² (0.44 oz-in ²) NOM
STEPS PER REVOLUTION: 200	DETENT TORQUE: 244.7 g-cm (3.39 oz-in) MIN
STEP ANGLE: 1.8°	INSULATION CLASS: B
STEP TO STEP ACCURACY: 0.09°	BEARINGS: ABEC 3, DOUBLE SHIELDED
POSITION ACCURACY: 0.09°	TEMP. RISE: 80°C MAX.
HYSTERESIS: N/A%	OPERATING TEMP. RANGE: -20 TO +50°C
SHAFT RUNOUT: 0.03 mm T.I.R. MAX	STORAGE TEMP. RANGE: -30 TO +70°C
RADIAL PLAY: 0.02 mm MAX (0.5 kg RADIAL LOAD)	RELATIVE HUMIDITY RANGE: 15 TO 85%
END PLAY: 0.08 mm MAX (0.5 kg AXIAL LOAD)	WEIGHT: 360 g (12.6 oz) APPROXIMATE

CONNECTION	RESISTANCE PER PHASE (ohm ±10%)	INDUCTANCE PER PHASE (mH ±20%)	RATED CURRENT (Amp)	HOLDING TORQUE (Nm MIN)	HOLDING TORQUE (oz-in)
BI-POLAR SERIES	6.6	12.8	0.85	0.55	77.89
BI-POLAR PARALLEL	1.7	3.2	1.70	0.55	77.89
UNI-POLAR	3.3	3.2	1.20	0.39	55.23

NOTES, UNLESS OTHER WISE SPECIFIED:

- 1 MEASUREMENTS MADE AT RATED CURRENT IN EACH PHASE.
- 2 BETWEEN ANY TWO ADJACENT FULL STEP POSITIONS.
- 3 MAXIMUM ERROR IN 360°.
4. HIPOT 500 VAC, 60Hz FOR ONE MINUTE.
- 5 LEADS: 8, 26 AWG, 7 STRAND MIN. UL AND CSA APPROVED. UL 1430 OR UL 3265
6. INSULATION RESISTANCE: 100 MEGOHMS MIN AT 500 VDC.
- 7 AS MEASURED ACROSS EACH PHASE.
- 8 AS MEASURED ACROSS EACH PHASE USING AN A.C. INDUCTANCE BRIDGE AT 1KHz.
- 9 AS MEASURED BY THE CHANGE IN RESISTANCE METHOD, WITH RATED CURRENT APPLIED TO 2 PHASES: WITH MOTOR AT REST.
- 10 ENCODER INSTALLED PER AMP ASSEMBLY PRACTICES. ENCODER CABLE SOLD SEPARATELY.
11. ROTOR AND STATOR LAMINATED CONSTRUCTION.
12. THIS MOTOR IS MANUFACTURED IN COMPLIANCE WITH CURRENT EU RoHS DIRECTIVE.
- 13 MOTOR LABEL TO INCLUDE AMP LOGO, AMP WEBSITE ADDRESS, "RoHS" COMPLIANCE LOGO, AMP P/N, "MADE IN (COUNTRY)", AND DATE CODE.

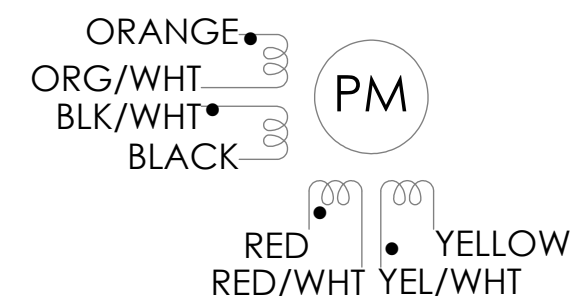
REVISIONS				
ECO #	REV.	DESCRIPTION	DATE	APPROVED
8675	A	INITIAL RELEASE	6/15/21	LEO. L


DRIVE SEQUENCE MODEL
BI-POLAR PARALLEL FULL STEP

STEP	ORG & BLK/WHT	BLK & ORG/WHT	RED & YEL/WHT	YEL & RED/WHT
1	+	-	+	-
2	-	+	+	-
3	-	+	-	+
4	+	-	-	+
1	+	-	+	-

CW (CLOCKWISE) AND CCW (COUNTER-CLOCKWISE) ROTATION WHEN SEEN FROM THE FLANGE SIDE OF THE MOTOR

WIRING DIAGRAM



 <p>Applied Motion Products A MOONS' COMPANY</p> <p>PROPRIETARY AND CONFIDENTIAL</p> <p>THE INFORMATION CONTAINED IN THIS DRAWING IS THE SOLE PROPERTY OF APPLIED MOTION PRODUCTS. ANY REPRODUCTION IN PART OR AS A WHOLE WITHOUT THE WRITTEN PERMISSION OF APPLIED MOTION PRODUCTS IS PROHIBITED.</p>	UNLESS OTHERWISE SPECIFIED:	NAME	DATE	TITLE:	
	DIMENSIONS ARE IN MILLIMETERS	DRAWN	ALAN. N	6/15/20	<p>STEPPER MOTOR OUTLINE</p>
	TOLERANCES:	CHECKED	YANN. L	6/15/20	
	ANGULAR: ± 0.5 ONE PLACE DECIMAL ± 0.25 TWO PLACE DECIMAL ± 0.13 THIRD ANGLE PROJECTION	COMMENTS:			<p>SIZE B DWG. NO. HT17-275D-WAA REV A</p>
MATERIAL				SCALE: 1:1	
FINISH				WEIGHT:	
DO NOT SCALE DRAWING				SHEET 1 OF 2	

4

3

2

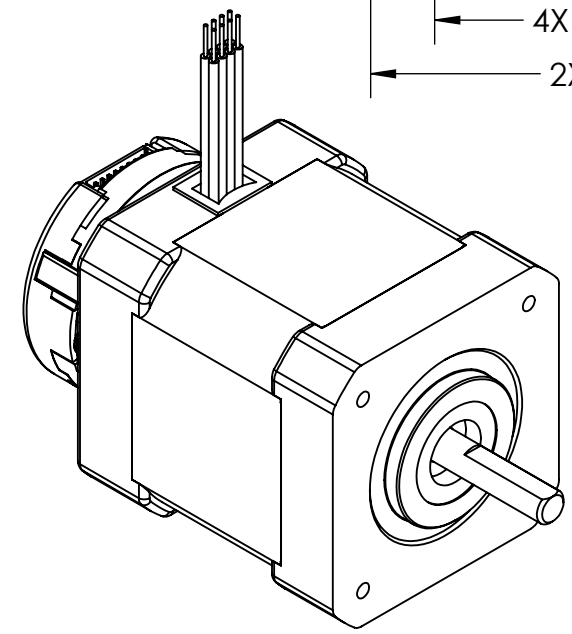
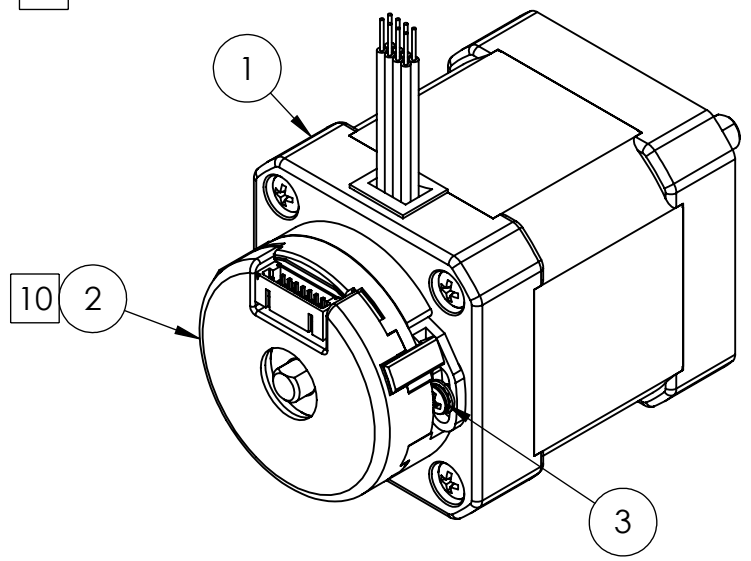
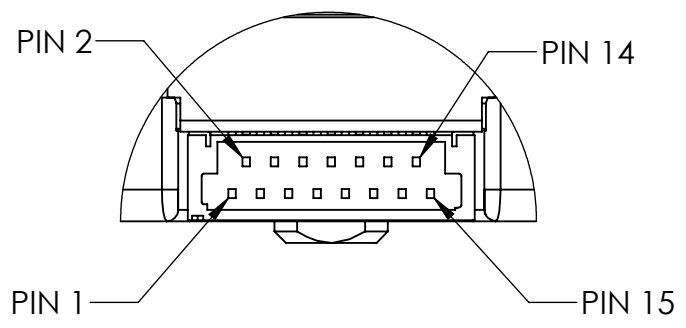
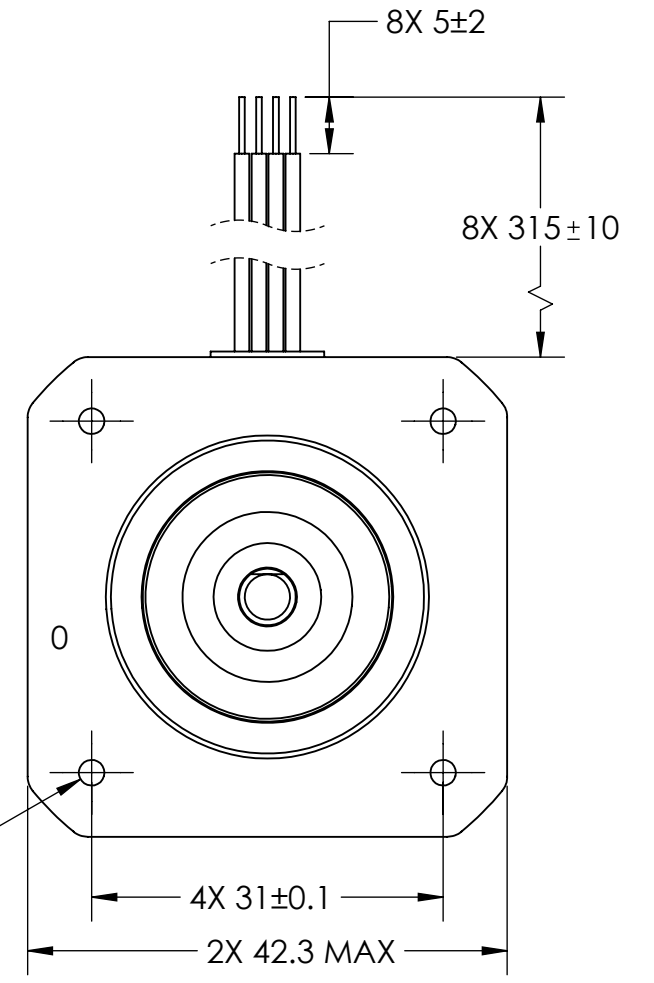
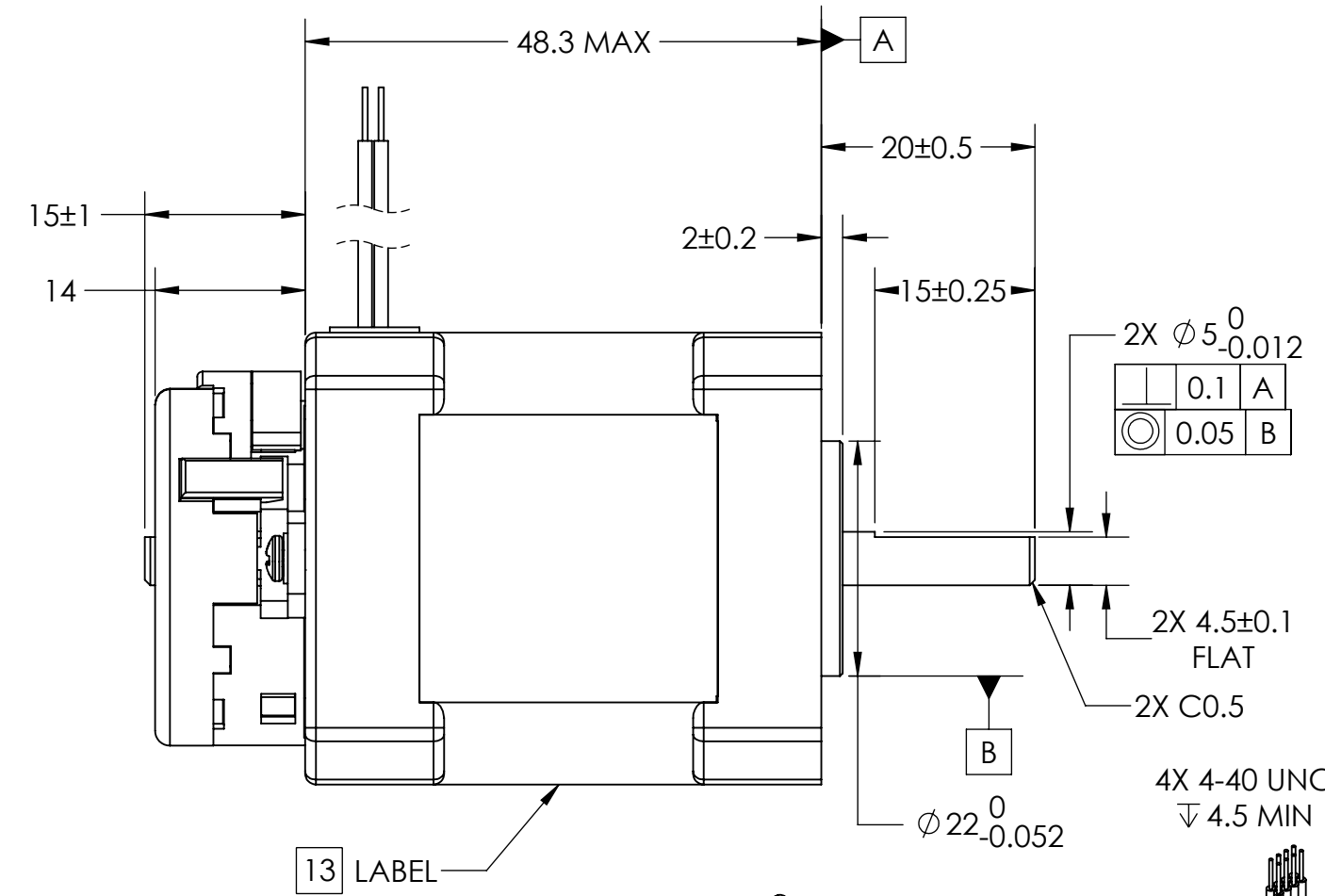
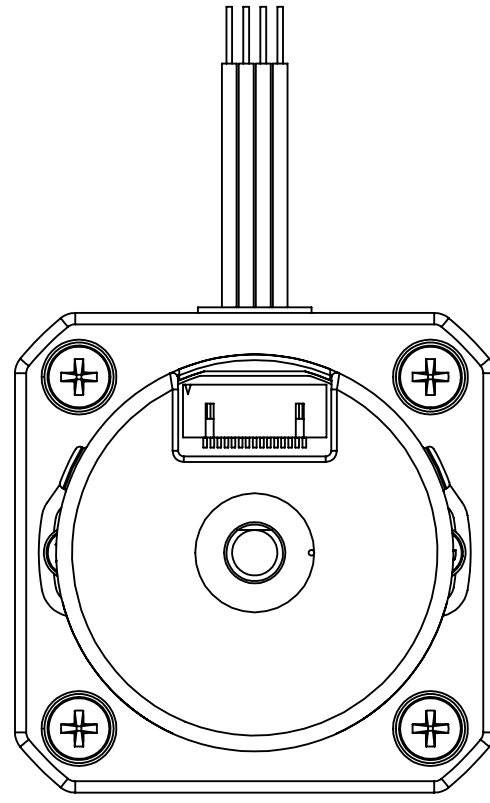
1

4

3

2

1



CONNECTOR	
PIN #	SIGNAL
1	CH A
2	CH A-
3	CH B
4	CH B-
5	INDEX
6	INDEX-
7	CH U
8	CH U-
9	CH V
10	CH V-
11	CH W
12	CH W-
13	+Vcc
14	GND
15	N/A

ITEM NO.	PART NUMBER	QTY.
1	HT17-275D	1
2	ENCODER 970-1012	1
3	SCREW 2-56 X .1875 W-TOOTH LOCK WASHER (90403A077) OR EQUIVALENT	2

Applied Motion Products
A MOONS' COMPANY

PROPRIETARY AND CONFIDENTIAL

THE INFORMATION CONTAINED IN THIS DRAWING IS THE SOLE PROPERTY OF APPLIED MOTION PRODUCTS. ANY REPRODUCTION IN PART OR AS A WHOLE WITHOUT THE WRITTEN PERMISSION OF APPLIED MOTION PRODUCTS IS PROHIBITED.

UNLESS OTHERWISE SPECIFIED:
DIMENSIONS ARE IN MILLIMETERS
TOLERANCES:
ANGULAR: ± 0.5
ONE PLACE DECIMAL ± 0.25
TWO PLACE DECIMAL ± 0.13
THIRD ANGLE PROJECTION

MATERIAL

FINISH

DO NOT SCALE DRAWING

NAME	ALAN. N	DATE	6/15/20
CHECKED	YANN. L	DATE	6/15/20
COMMENTS:			

TITLE:
STEPPER MOTOR OUTLINE

SIZE	DWG. NO.	REV
B	HT17-275D-WAA	A

SCALE: 1:2 WEIGHT: SHEET 2 OF 2

4

3

2

1

B

B

A

A