

4

3

2

1

SPECIFICATION

NUMBER OF PHASES: 2	ROTOR INERTIA: 4.2 g-cm ² (0.023 oz-in ²) NOM
STEPS PER REVOLUTION: 200	DETENT TORQUE: 4 mNm (0.57 oz-in) MIN
STEP ANGLE: 1.8°	INSULATION CLASS: B
STEP TO STEP ACCURACY: ±0.09°	BEARINGS: ABEC 3, DOUBLE SHIELDED
POSITION ACCURACY: ±0.09°	TEMP. RISE: 80°C MAX.
HYSTERESIS: N/A%	OPERATING TEMP. RANGE: -20 TO +50°C
SHAFT RUNOUT: 0.03 mm T.I.R. MAX	STORAGE TEMP. RANGE: -30 TO +70°C
RADIAL PLAY: 0.02 mm MAX (0.5 kg RADIAL LOAD)	RELATIVE HUMIDITY RANGE: 15 TO 85%
END PLAY: 0.08 mm MAX (0.5 kg AXIAL LOAD)	WEIGHT: 80 g (2.82 oz) APPROXIMATE

CONNECTION	RESISTANCE PER PHASE (ohm ±10%)	INDUCTANCE PER PHASE (mH ±20%)	RATED CURRENT (Amp)	HOLDING TORQUE (mNm MIN)	HOLDING TORQUE (oz-in MIN)
BI-POLAR	20.3	7.9	0.35	42	5.95

NOTES, UNLESS OTHER WISE SPECIFIED:

- 1 MEASUREMENTS MADE AT RATED CURRENT IN EACH PHASE.
- 2 BETWEEN ANY TWO ADJACENT FULL STEP POSITIONS.
- 3 MAXIMUM ERROR IN 360°.
4. HIPOT 500 VAC, 60Hz FOR ONE MINUTE.
- 5 LEADS: 4, 26 AWG, 7 STRAND MIN. UL AND CSA APPROVED. UL 3265
6. INSULATION RESISTANCE: 100 MEGOHMS MIN AT 500 VDC.
- 7 AS MEASURED ACROSS EACH PHASE.
- 8 AS MEASURED ACROSS EACH PHASE USING AN A.C. INDUCTANCE BRIDGE AT 1KHz.
- 9 AS MEASURED BY THE CHANGE IN RESISTANCE METHOD, WITH RATED CURRENT APPLIED TO 2 PHASES: WITH MOTOR AT REST.
- 10 ADD "D" TO END OF PART NUMBER IF DOUBLE SHAFT IS REQUIRED.
11. ROTOR AND STATOR LAMINATED CONSTRUCTION.
12. THIS MOTOR IS MANUFACTURED IN COMPLIANCE WITH CURRENT EU RoHS DIRECTIVE.
- 13 MOTOR LABEL TO INCLUDE AMP LOGO, AMP WEBSITE ADDRESS, "RoHS" COMPLIANCE LOGO, AMP P/N, "MADE IN (COUNTRY)", AND DATE CODE.
- 14 CONNECTOR: JST S6B-ZR(LF)(SN) HOUSING: JST ZHR-6 TERMINAL: JST SZH-002T-P0.5

REVISIONS

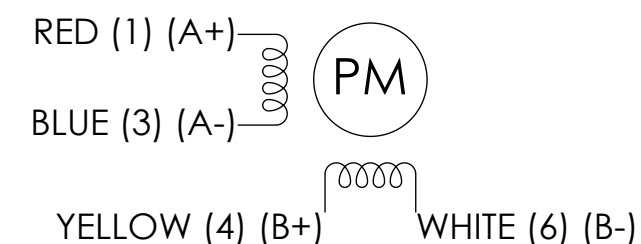
ECO #	REV.	DESCRIPTION	DATE	APPROVED
8470	A	INITIAL RELEASE	5/8/2020	J.KORDIK
8523	B	LABEL NOTE REVISED	8/10/2020	J.KORDIK

DRIVE SEQUENCE MODEL
BI-POLAR FULL STEP

STEP	A+	A-	B+	B-
1	+	-	+	-
2	-	+	+	-
3	-	+	-	+
4	+	-	-	+
1	+	-	+	-

CW (CLOCKWISE) AND CCW (COUNTER-CLOCKWISE) ROTATION WHEN SEEN FROM THE FLANGE SIDE OF THE MOTOR

WIRING DIAGRAM



<p>Applied Motion Products A MOONS' COMPANY</p> <p>PROPRIETARY AND CONFIDENTIAL</p> <p>THE INFORMATION CONTAINED IN THIS DRAWING IS THE SOLE PROPERTY OF APPLIED MOTION PRODUCTS. ANY REPRODUCTION IN PART OR AS A WHOLE WITHOUT THE WRITTEN PERMISSION OF APPLIED MOTION PRODUCTS IS PROHIBITED.</p>	UNLESS OTHERWISE SPECIFIED:	NAME	DATE	TITLE:	
	DIMENSIONS ARE IN MILLIMETERS	DRAWN	K.KESLER	8/7/20	STEP MOTOR OUTLINE
	TOLERANCES: ANGULAR: ± 0.5 ONE PLACE DECIMAL ± 0.25 TWO PLACE DECIMAL ± 0.13 THIRD ANGLE PROJECTION	CHECKED	ALAN.N	8/10/20	
	MATERIAL	COMMENTS:		SIZE	DWG. NO.
FINISH			B	HT08-231	B
DO NOT SCALE DRAWING			SCALE: 1:1	WEIGHT: -	SHEET 1 OF 2

4

3

2

1

4

3

2

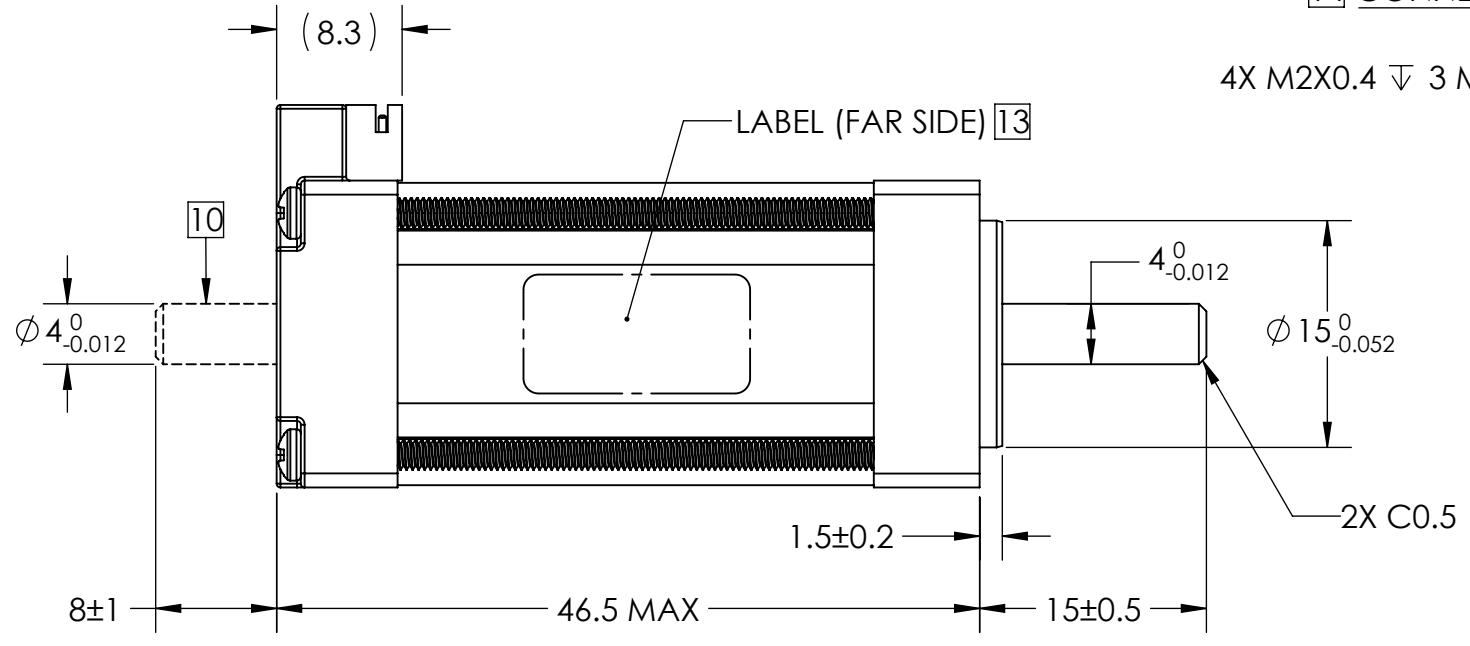
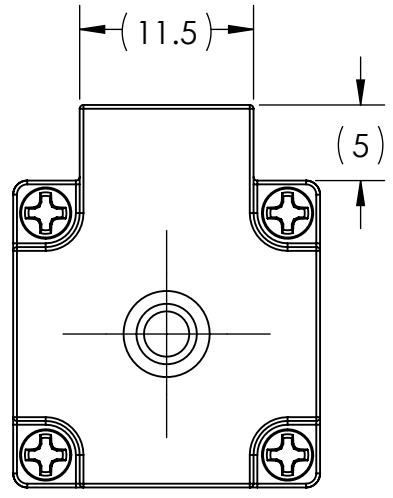
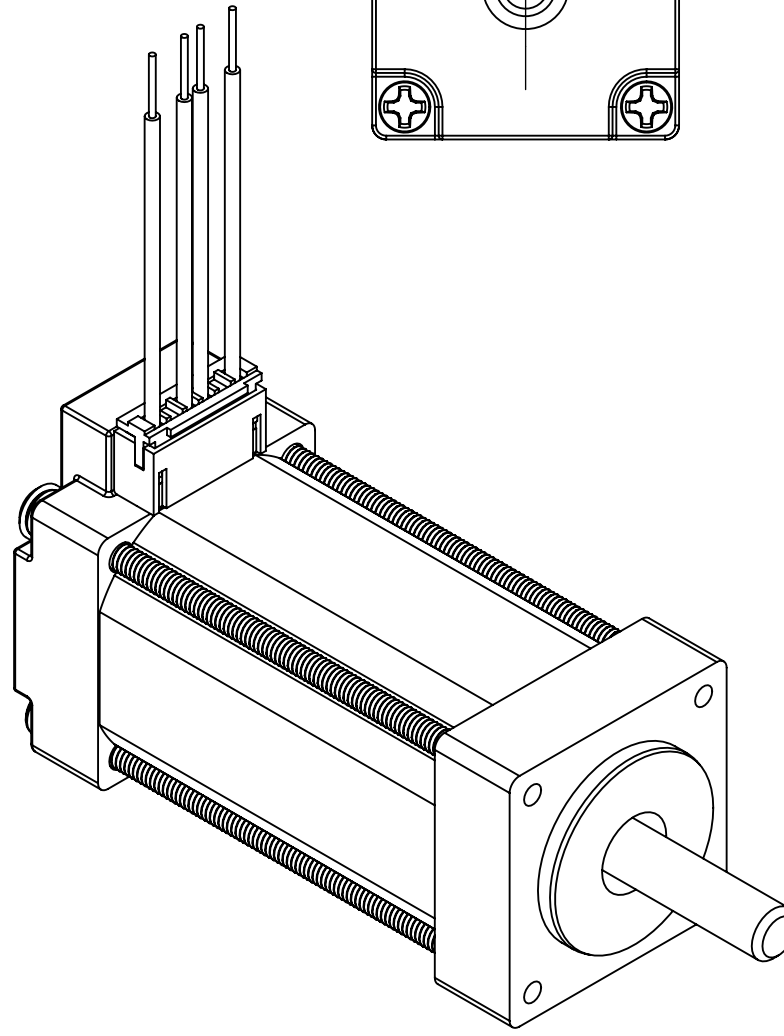
1

B

B

A

A



14 HOUSING & TERMINAL

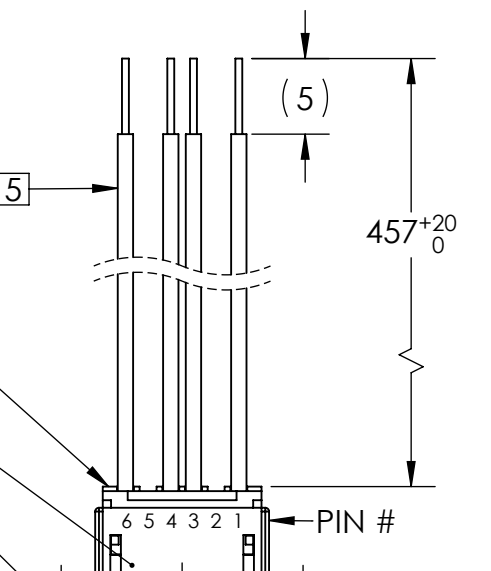
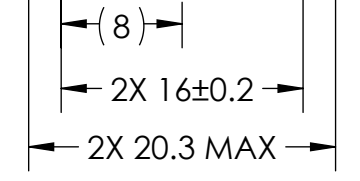
14 CONNECTOR

4X M2X0.4 ∇ 3 MIN

LABEL (FAR SIDE) 13

PIN #

2X C0.5



<p>Applied Motion Products A MOONS' COMPANY</p> <p>PROPRIETARY AND CONFIDENTIAL</p> <p>THE INFORMATION CONTAINED IN THIS DRAWING IS THE SOLE PROPERTY OF APPLIED MOTION PRODUCTS. ANY REPRODUCTION IN PART OR AS A WHOLE WITHOUT THE WRITTEN PERMISSION OF APPLIED MOTION PRODUCTS IS PROHIBITED.</p>	UNLESS OTHERWISE SPECIFIED:	NAME	DATE	TITLE:		
	DIMENSIONS ARE IN MILLIMETERS	DRAWN	K.KESLER		8/7/20	
	TOLERANCES:	CHECKED	ALAN.N	8/10/20	STEP MOTOR OUTLINE	
	ANGULAR: \pm 0.5	COMMENTS:				
ONE PLACE DECIMAL \pm 0.25	MATERIAL			SIZE	DWG. NO.	REV
TWO PLACE DECIMAL \pm 0.13	FINISH			B	HT08-231	B
THIRD ANGLE PROJECTION	DO NOT SCALE DRAWING			SCALE: 2:1	WEIGHT: -	SHEET 2 OF 2