

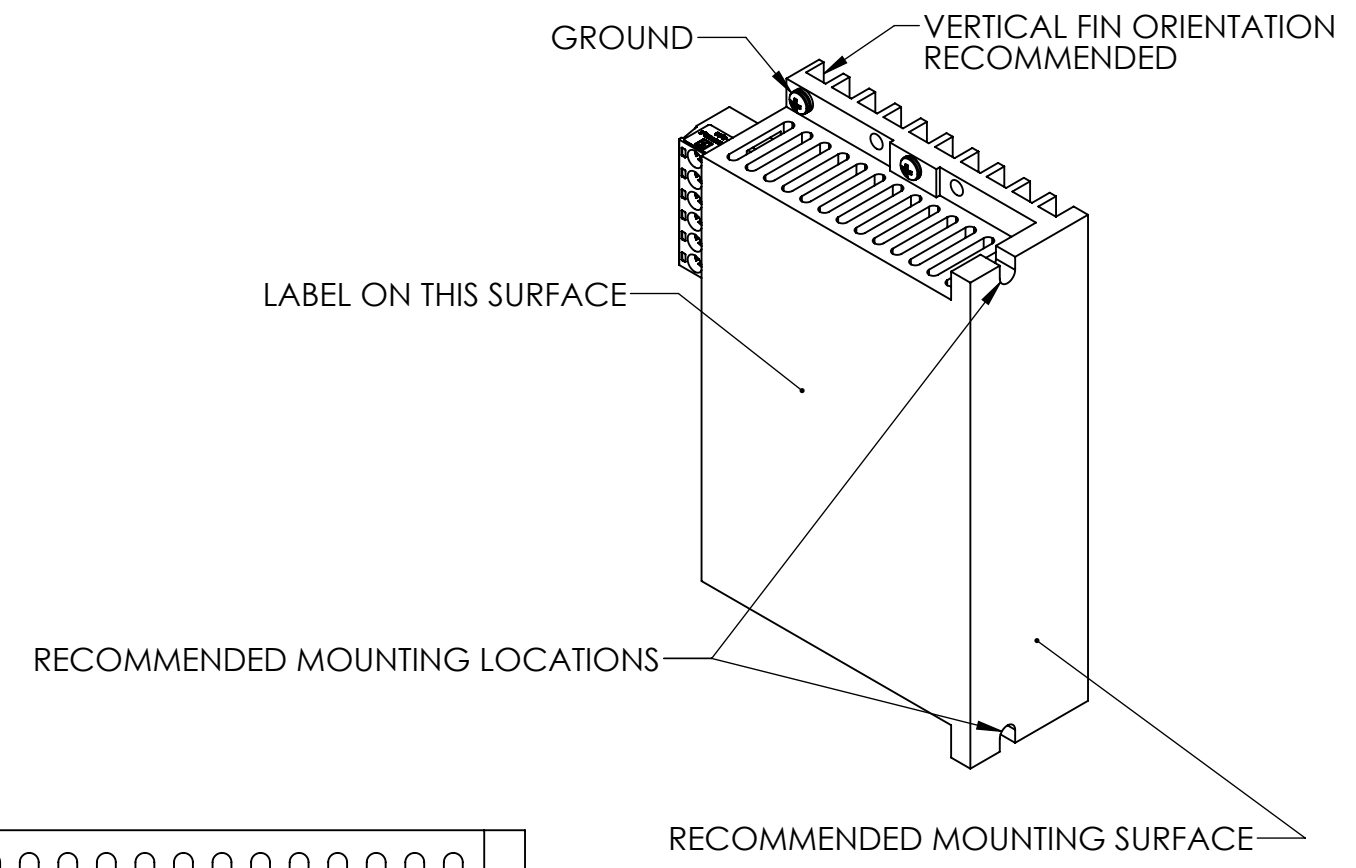
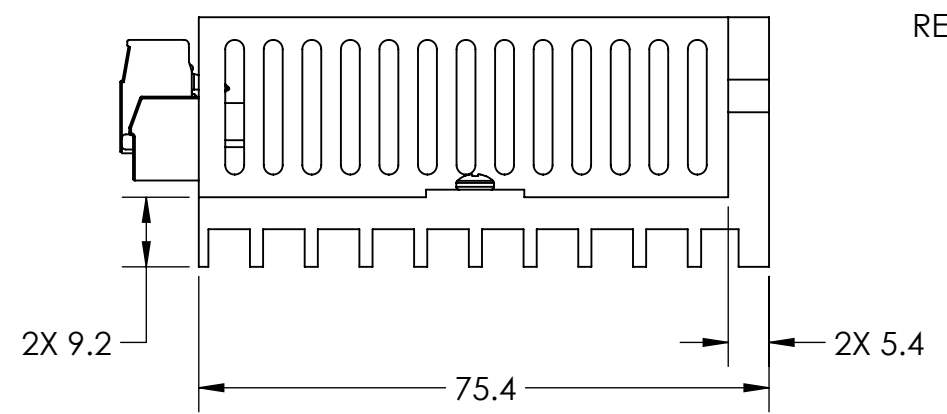
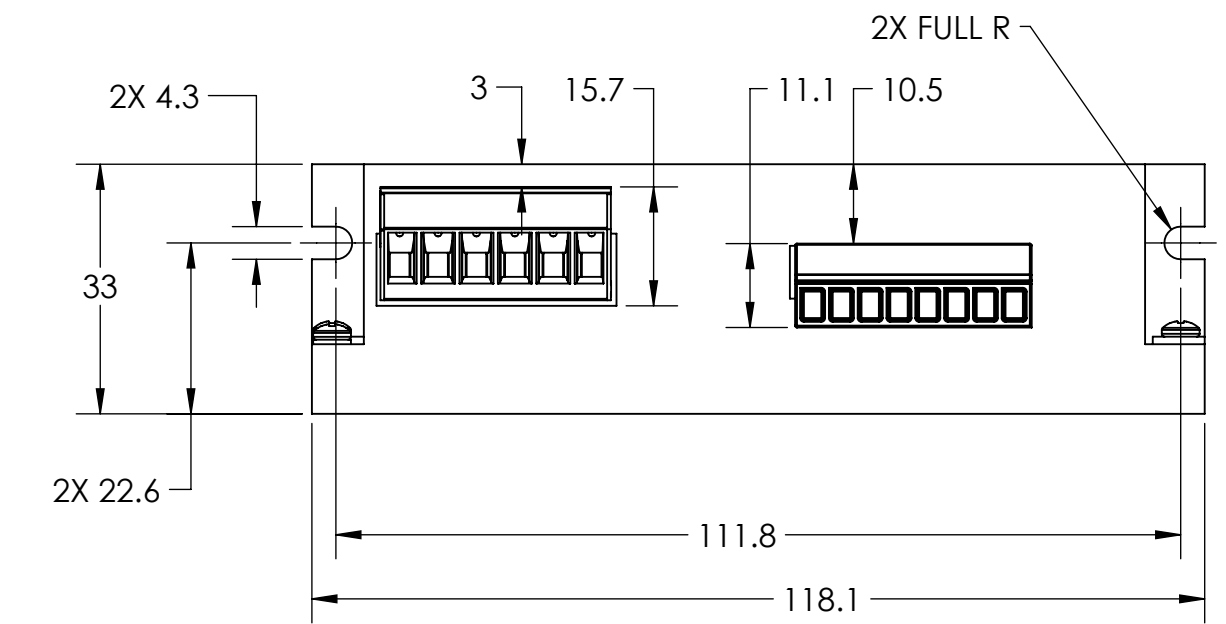
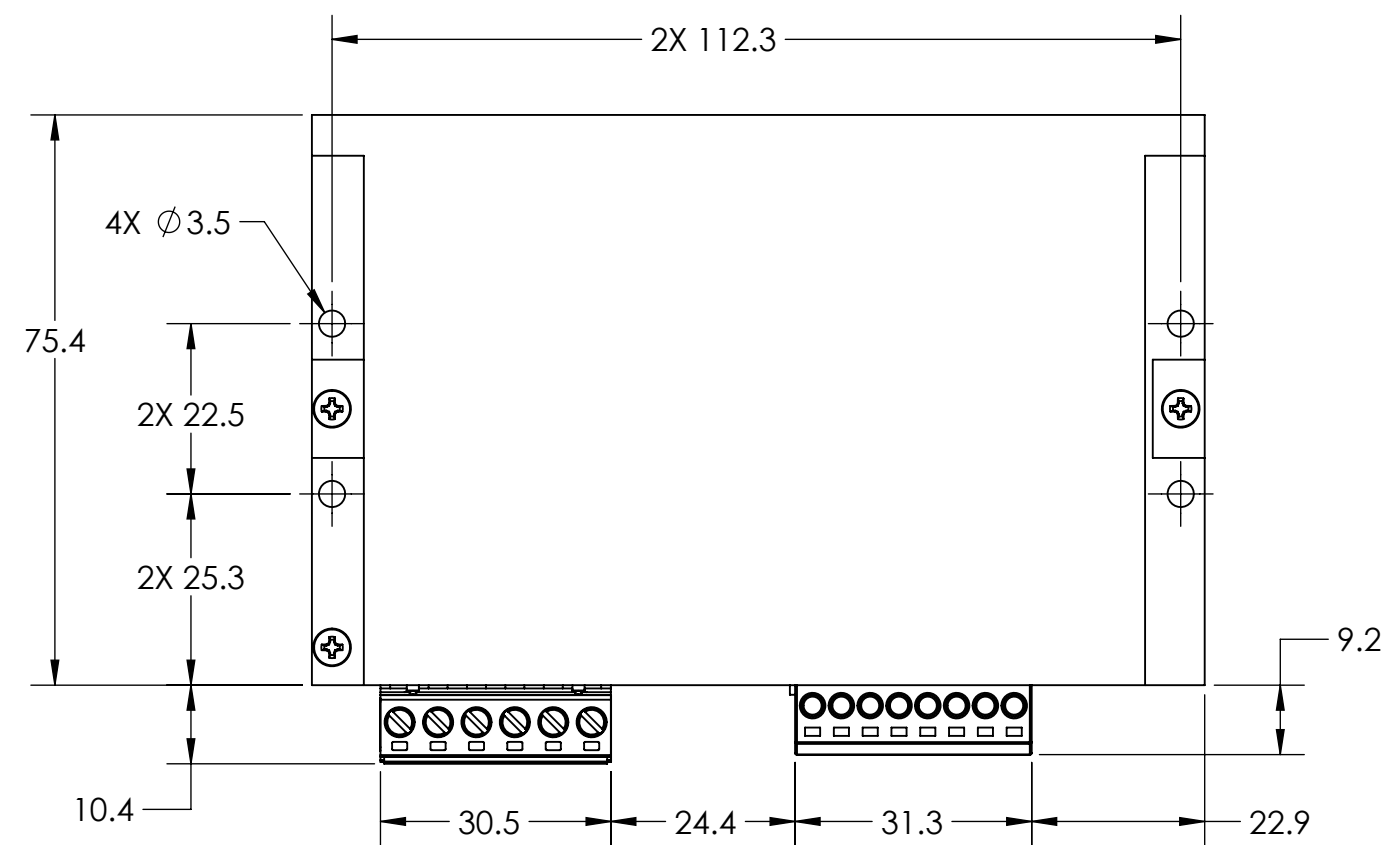
4

3

2


1

REVISIONS				
ECO #	REV.	DESCRIPTION	DATE	APPROVED
8587	A	INITIAL RELEASE	1/7/2021	MIKE. M



NOTES, UNLESS OTHER WISE SPECIFIED:

1. THIS DRIVE IS MANUFACTURED IN COMPLIANCE WITH CURRENT EU RoHS DIRECTIVE.

 <p>Applied Motion Products A MOONS' COMPANY</p> <p>PROPRIETARY AND CONFIDENTIAL</p> <p>THE INFORMATION CONTAINED IN THIS DRAWING IS THE SOLE PROPERTY OF APPLIED MOTION PRODUCTS. ANY REPRODUCTION IN PART OR AS A WHOLE WITHOUT THE WRITTEN PERMISSION OF APPLIED MOTION PRODUCTS IS PROHIBITED.</p>	UNLESS OTHERWISE SPECIFIED:	NAME	DATE	TITLE: STR 8 DC POWERED ADVANCED MICROSTEP DRIVE	
	DIMENSIONS ARE IN MILLIMETERS	DRAWN	ALAN. N		1/7/21
	TOLERANCES:	CHECKED	KEVIN. K	1/7/21	SIZE
	ANGULAR: ± 0.5 ONE PLACE DECIMAL ± 0.25 TWO PLACE DECIMAL ± 0.13 THIRD ANGLE PROJECTION	COMMENTS:		SCALE: 1:1	
MATERIAL			WEIGHT:	REV	
FINISH			DO NOT SCALE DRAWING	B	
				DWG. NO.	
				5000-158	
				SHEET 1 OF 1	

4

3

2

1

B

B

A

A