

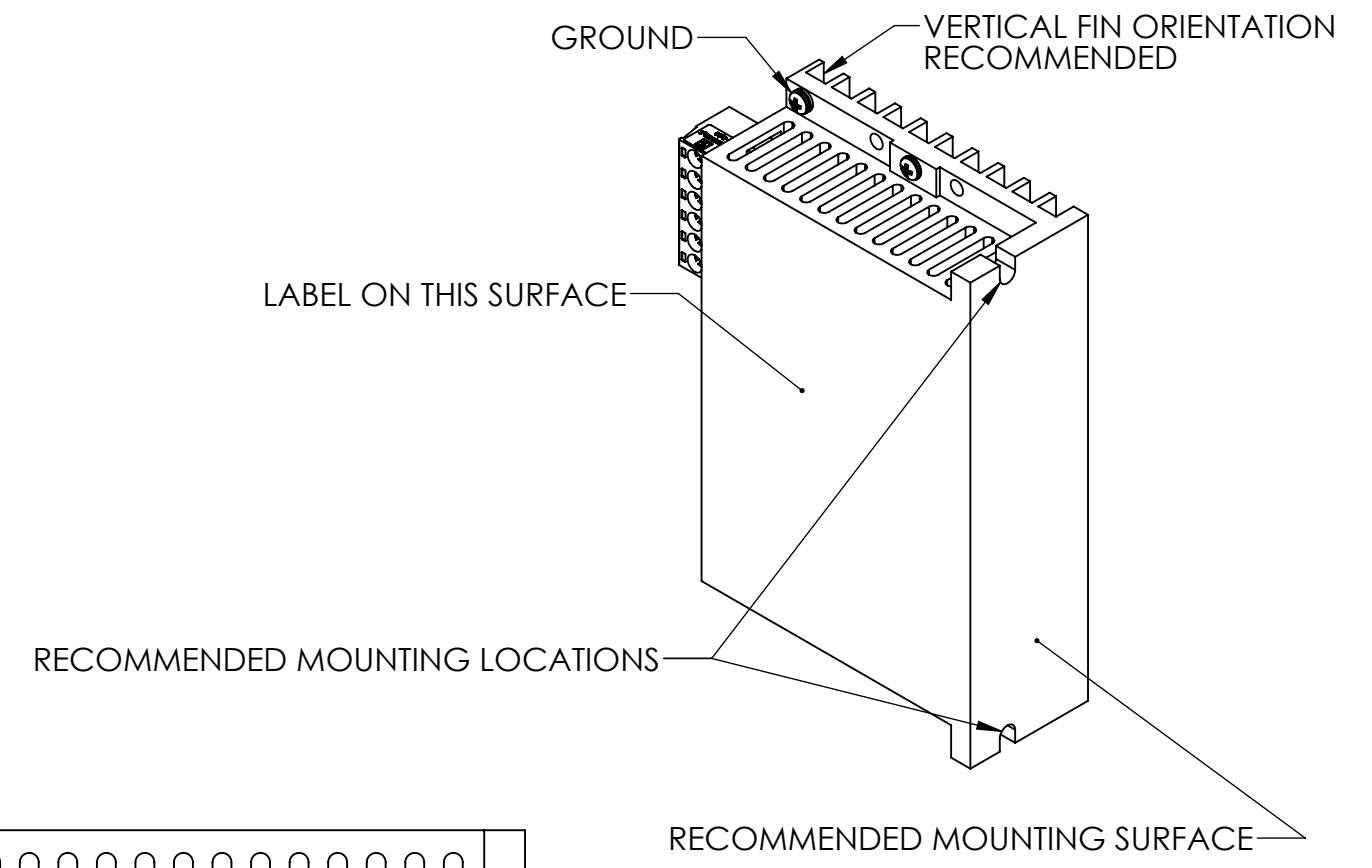
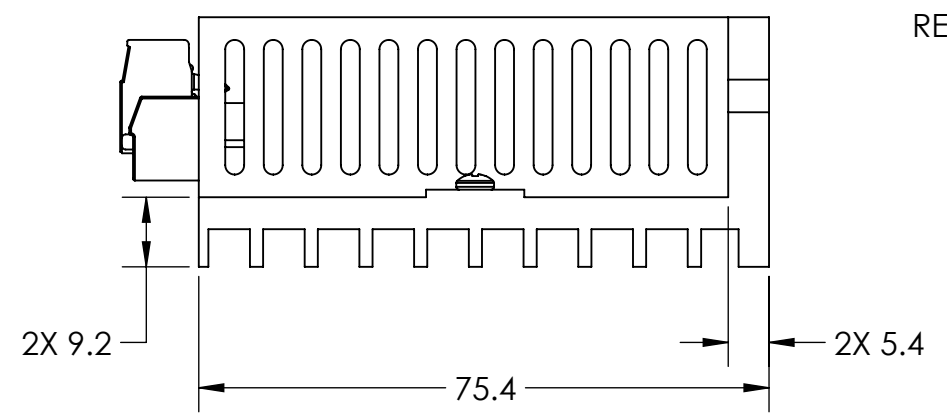
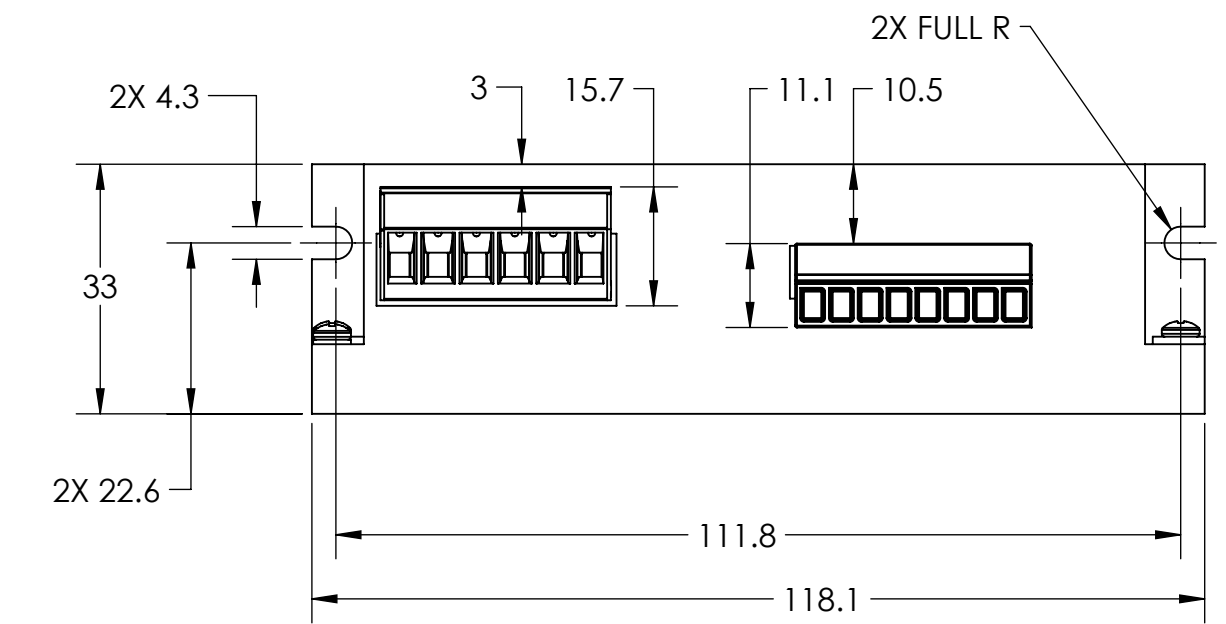
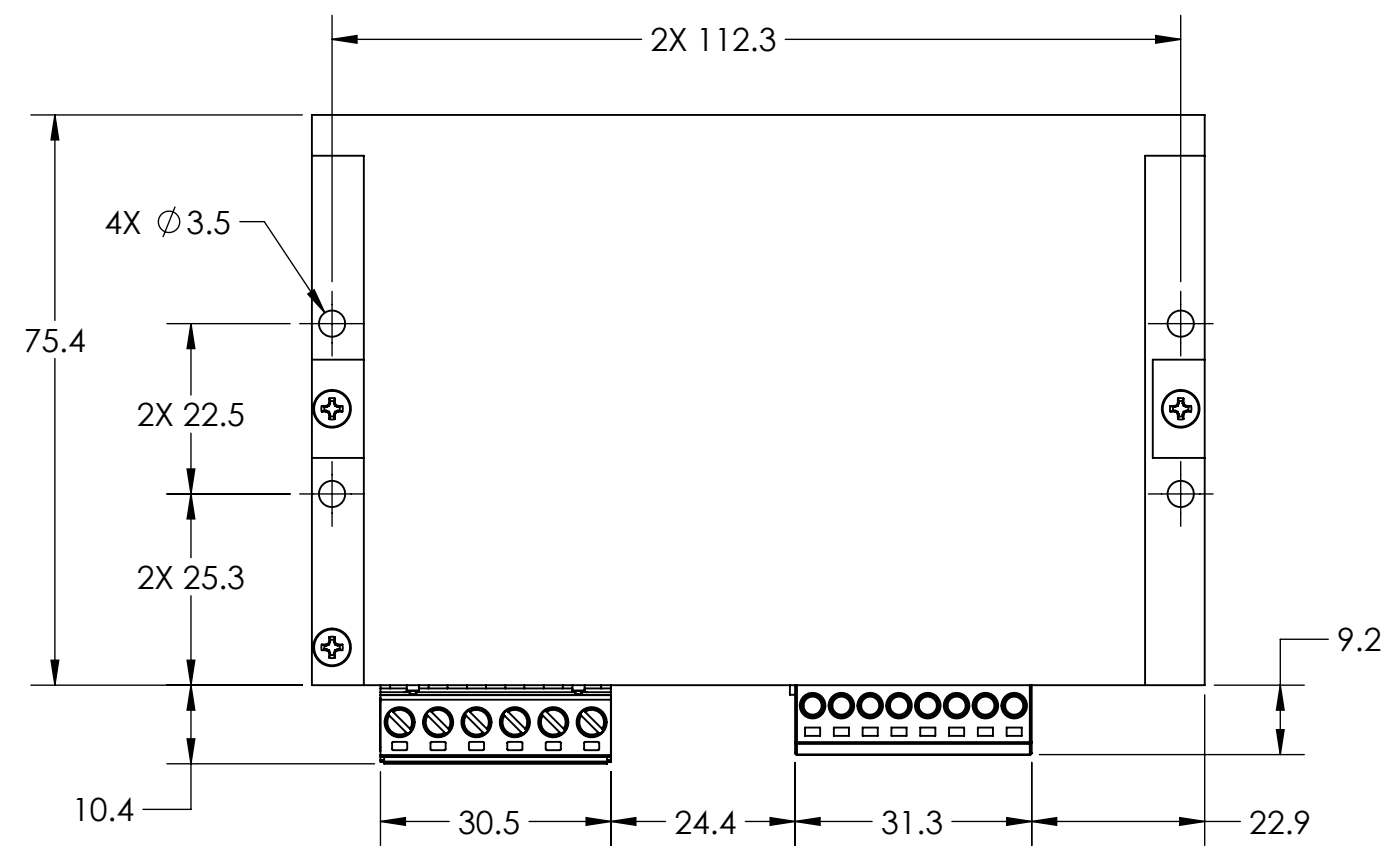
4

3

2


1

| REVISIONS | | | | |
|-----------|------|-----------------|----------|----------|
| ECO # | REV. | DESCRIPTION | DATE | APPROVED |
| 8587 | A | INITIAL RELEASE | 1/7/2021 | MIKE. M |



NOTES, UNLESS OTHERWISE SPECIFIED:

1. THIS DRIVE IS MANUFACTURED IN COMPLIANCE WITH CURRENT EU RoHS DIRECTIVE.

| | | | | | |
|--|--|-----------|----------|--|-------------------------------|
|  <p>Applied Motion Products A MOONS' COMPANY</p> <p>PROPRIETARY AND CONFIDENTIAL</p> <p>THE INFORMATION CONTAINED IN THIS DRAWING IS THE SOLE PROPERTY OF APPLIED MOTION PRODUCTS. ANY REPRODUCTION IN PART OR AS A WHOLE WITHOUT THE WRITTEN PERMISSION OF APPLIED MOTION PRODUCTS IS PROHIBITED.</p> | UNLESS OTHERWISE SPECIFIED: | NAME | DATE | TITLE: STR 4 DC POWERED ADVANCED MICROSTEP DRIVE | |
| | DIMENSIONS ARE IN MILLIMETERS | DRAWN | ALAN. N | | 1/7/21 |
| | TOLERANCES: | CHECKED | KEVIN. K | 1/7/21 | SIZE |
| | ANGULAR: ± 0.5 ONE PLACE DECIMAL ± 0.25 TWO PLACE DECIMAL ± 0.13 THIRD ANGLE PROJECTION | COMMENTS: | | | DWG. NO. B 5000-154 |
| MATERIAL | | | | REV A | |
| FINISH | | | | SCALE: 1:1 | |
| DO NOT SCALE DRAWING | | | | WEIGHT: | |
| | | | | SHEET 1 OF 1 | |

4

3

2

1

B

B

A

A